

SMJK TSUNG WAH
KUALA KANGSAR PERAK

Final Examination 2013
MATHEMATICS (PAPER TWO)
FORM ONE
One Hour and 45 minutes

Prepared by : Pn. Nurasyikin Bt Mohd Matmoor Date: 30/10/2013
Time : 4.55 – 6.40
Name : _____ Class : _____

*This question paper consist **20** questions. Answer **all** questions. Write your answer clearly in the spaces provided in the question paper. Show your working. It may help you to get marks. The marks allocated for each question are shown in brackets. The usage of calculator is **not** allowed. This question paper must be handed in the end of the examination.*

- 1 (a) Round off 845 380 to the nearest thousand.
 (b) Find the value of $72 \div 4 \times 3 - 12$.

[2 marks]

Answer:

(a)

(b)

-
- 2 (a) Determine the value of x in the sequence of numbers 4, 5, 7, 8, 10, 11, x .
 (b) Find the Lowest Common Multiple (LCM) of 3, 6 and 14.

[3 marks]

Answer:

(a)

(b)

3 Calculate the value of $(2\frac{2}{3} - 1\frac{2}{5}) \div 2\frac{4}{5}$.

[2 marks]

Answer:

4 Find the Highest Common Factor (HCF) of 15, 30 and 45.

[2 marks]

Answer:

5 (a) A house cost RM145 500 in 2012. Its price increased by 15% in 2013. Find the price of the house in 2013.
(b) Given that 6% of y is 54. Find the value of y .

[4 marks]

Answer:

(a)

(b)

- 6 (a) Calculate 3 tonnes 335 kg – 905 kg and give the answer in tonnes.
(b) Puan Lee worked for 3 hours 20 minutes and rested for 30 minutes. Then she continued working for 2 hours till 3.40 p.m.. What time did she start working?

[3 marks]

Answer:

(a)

(b)

-
- 7 Calculate 2 m 16 cm \times 6. Give the answer in m.

[2 marks]

Answer:

-
- 8 A group of students visited the National Museum. $\frac{4}{7}$ of them are boys and 21 are girls. How many students are there in the group?

[3 marks]

Answer:

- 9 (a) Find the value of $24 + (-10) + (-17)$.
(b) Town X is 416 m above sea level where as town Y is 148 m below sea level. Find their difference in height.

[3 marks]

Answer:

(a)

(b)

10 Simplify

(a) $3x - 5 + x + 11$

(b) $-5p - (-4) - 6p + 3$.

[3 marks]

Answer:

(a)

(b)

-
- 11 Diagram 1 in the answer space consist of equal squares. Colour $\frac{2}{3}$ of the diagram.

[2 marks]

Answer:

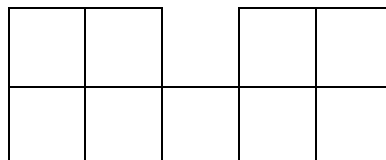


Diagram 1

- 12 Diagram 2 in the answer space is drawn on a grid of equal squares. Draw all the lines of symmetry.

[3 marks]

Answer:

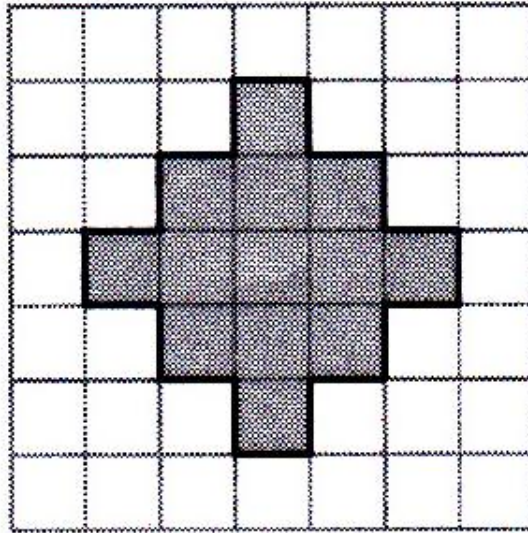


Diagram 2

-
- 13 In Diagram 3, PQR is a straight line.

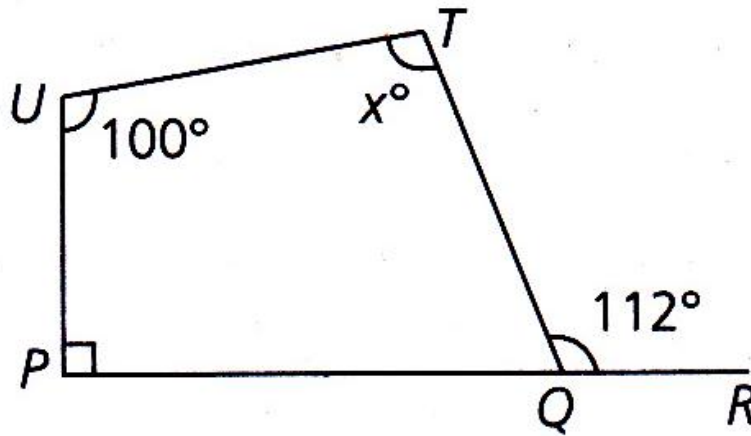


Diagram 3

Calculate the value x .

[3 marks]

Answer:

14 Diagram 4 shows a rectangular box made of plywood of thickness 1.5 cm.

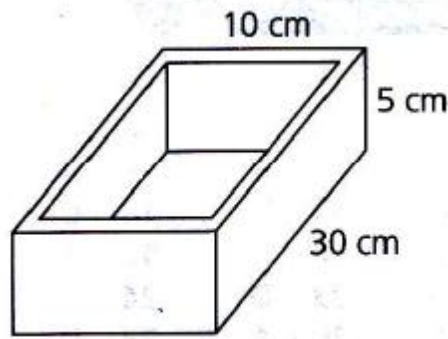


Diagram 4

Calculate the volume of plywood used.

[4 marks]

Answer:

15 Calculate the value of $(5 - 0.28) \div \frac{5}{8}$ and express the answer correct to two decimal places.

[3 marks]

Answer:

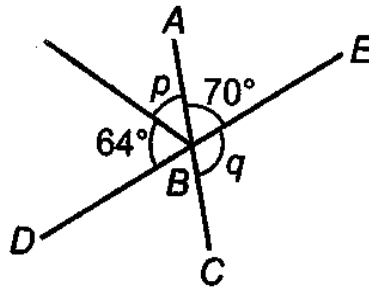


Diagram 5

In Diagram 5, ABC and DBE are straight lines. Find the value of

- (a) p
- (b) q
- (c) $q - p$

[3 marks]

Answer:

(a)

(b)

(c)

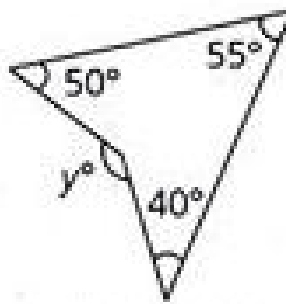


Diagram 6

Diagram 6 shows a quadrilateral. Calculate the value of y .

[3 marks]

Answer:

- 18 Using a protractor and a ruler, draw a triangle PQR so that $PQ = 4$ cm, $\angle PQR = 100^\circ$ and $\angle QPR = 30^\circ$.

[4 marks]

Answer:

-
- 19 Diagram 7 shows a fish tank.

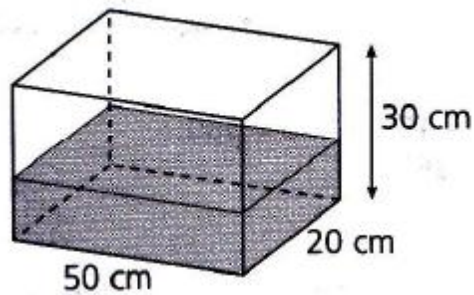


Diagram 7

John fills it with 20 liters of water. What is the height, in cm, of water in the tank?
[1 liter = 1000 cm^3]

[3 marks]

Answer:

20 In Diagram 8, $KLMN$ and $KLQP$ are trapeziums.

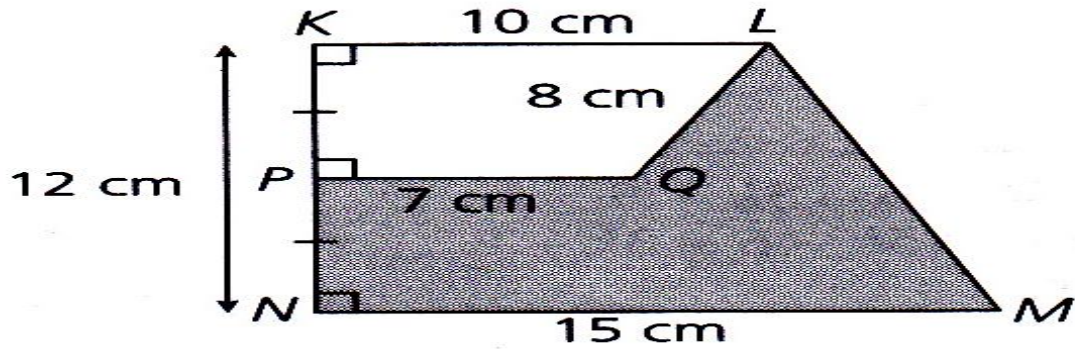


Diagram 8

Calculate

- (a) the perimeter of trapezium $KLQP$,
- (b) the area of the shaded region.

[5 marks]

Answer:

(a)

(b)

******Try You Best & Good Luck******

Disemak oleh,

Disahkan oleh,

(En. Sulaiman B. Mohamad Daud)

(Pn. Chan Me Lin)